

The Snorkelift ATB 46n is a boom-supported elevating work-platform built to conform to the following standards:

OSHA Paragraph 1910.67 Title 29, C.F.R.,
Vehicle-Mounted Elevating and Rotating Work
Platforms - Labor.

OSHA Paragraph 1926.556 Title 29, C.F.R.,
Aerial Lifts - Construction.

ANSI Standard A92.5-1992, Boom-Supported
Elevating Work Platforms.

CSA Standard CAN3-B354.4-M82, Boom-type
Elevating Work Platforms.

■ GENERAL SPECIFICATIONS

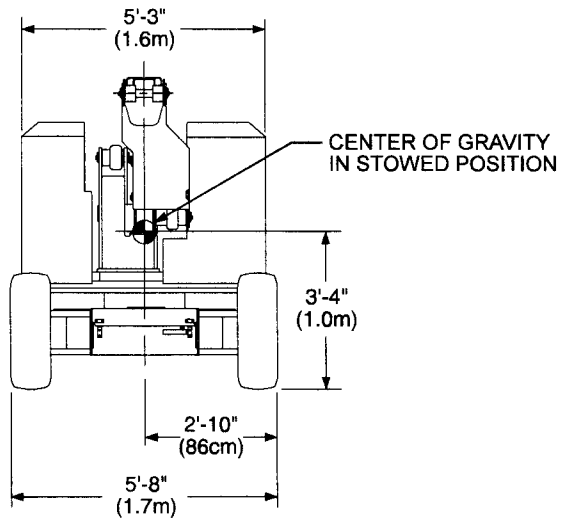
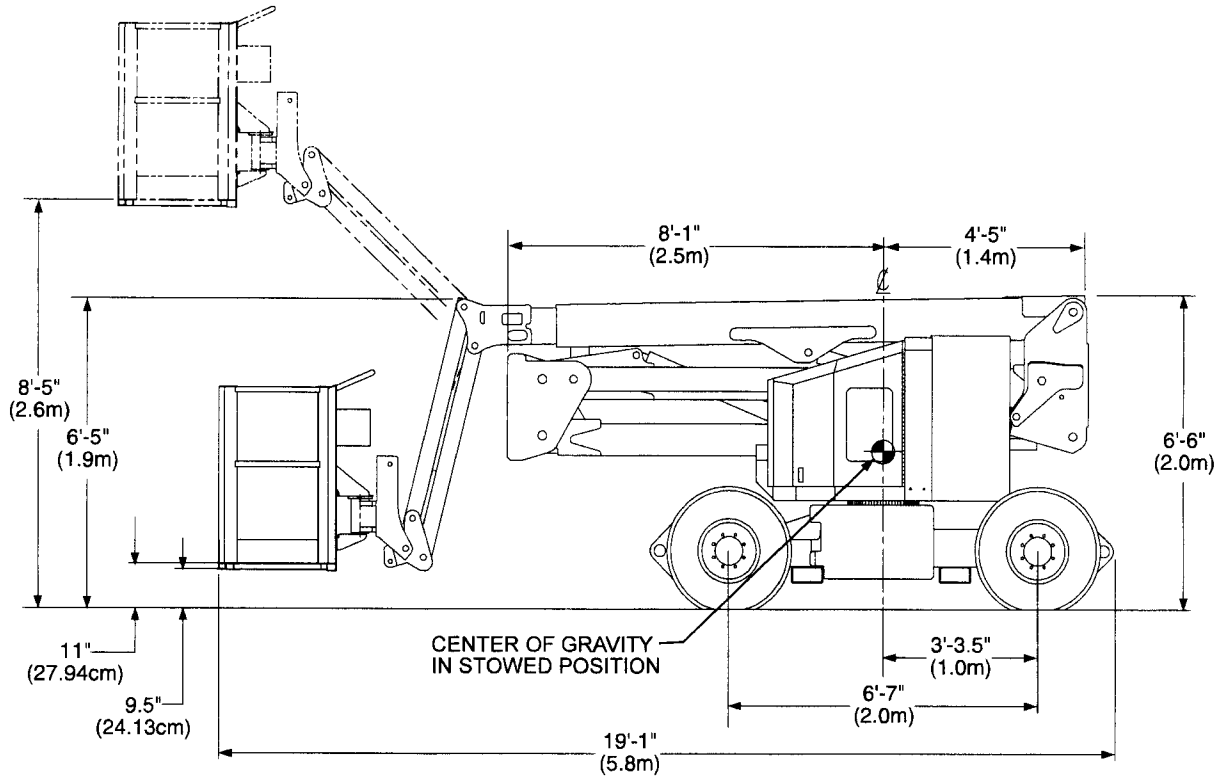
Working height (nominal)52 ft - 0 in (15.8 m)
Platform height (maximum)46 ft - 0 in (14.0 m)
Platform reach (maximum)24 ft - 8 in (7.5 m)
Length, overall
 (booms down and retracted)....19 ft - 1 in (5.8 m)
Width, overall5 ft - 9 in (1.8 m)
Height (booms down)6 ft - 6 in (2.0 m)
Wheelbase6 ft - 7 in (2.0 m)
Ground clearance 6.25 in (15.9 cm)
Tailswing
 stowed 19 in (48 cm)
 working0 in (0 m)
Weight (approximate)..... 15,500 lb (7,031 kg)
Maximum wheel load..... 8000 lb (3,629 kg)
Ground pressure (max.) 112 psi (773 kPa)
Travel speeds (max.) (See "CONTROLS"
chapter for explanation of settings for different
speeds.):
 booms down and retracted
 high speed, low torque 3.5 mph (5.6 km/h)
 mid speed, high torque 1.75 mph (2.8 km/h)
 low speed, high torque 0.75 mph (1.2 km/h)

Gradeability.....25%
Turning radius, inside.....5 ft - 11 in (1.8 m)
Tires (foam filled) 9.50 x 16.5 in, 8 ply
Electrical system... 12 V dc (neg. chassis ground)
Environmental operating ranges:
 ambient air temperature 0°F to +110°F
 (-18°C to +43°C)
 wind speed
 (maximum gust or steady) 28 mph (45 km/h)
Fuel tank capacity:
 std. gasoline/diesel 15 gal USA (56.7 liters)
 optional LPG..... 33 lb USA (15 kg)
Hydraulic oil:
 tank capacity 15 gal USA (56.7 liters)
 maximum temperature (at tank)... 200°F (93°C)
 recommended type
 above 10°F (-13°C) Mobil DTE 13M (ISO VG32)
 below 10°F (-13°C) Mobil DTE 11M (ISO VG15)
 maximum pressure 3,500 psi (24,150 kPa)
Boom elevation+75°/-1° to horizontal
Jib angle+45°/-75° to horizontal
Boom movement times in seconds (complete
range of movement):
 Turntable Swing (non-continuous)
 360° CW or CCW 60 - 70 s
 Platform Rotation
 180° CW or CCW, 16 - 20 s
 Main Boom Elevation
 UP 30 - 35 s
 DOWN 20 - 25 s
 Riser Boom Elevation
 UP 50 - 55 s
 DOWN 40 - 45 s
 Main Boom Extension
 OUT 25 - 30 s
 IN 30 - 35 s
 Jib Boom
 UP 25 - 30 s
 DOWN 15 - 20 s

■ PLATFORM SPECIFICATIONS

PLATFORM	SIZE inches (cm)	Unrestricted rated work load (total weight of personnel, tools, and materials that the platform is designed to carry above its floor when the platform is within its working envelope -- same as UNRESTRICTED PLATFORM CAPACITY)
standard aluminum	60 x 30 (152 x 76)	Rated work load: 500 lb (227 kg) Rated number of occupants: 2 people

■ OVERALL DIMENSIONS



3. SPECIFICATIONS

■ WORKING ENVELOPE

