

3. SPECIFICATIONS

The Snorkelift ATB 60 is a boom-supported elevating work-platform built to conform to the following standards:

OSHA Paragraph 1910.67 Title 29, C.F.R. Vehicle-Mounted Elevating and Rotating Work Platforms - Labor.

OSHA Paragraph 1926.556 Title 29, C.F.R Aerial Lifts - Construction.

ANSI Standard A92.5-1992 Boom-Supported Elevating Work Platforms.

CSA Standard CAN3-B354.4-M82, Boom-type Elevating Work Platforms.

■ GENERAL SPECIFICATIONS

Working height (nominal)66 ft (20.11 m)
 Platform height (maximum)60.0 ft (18.29 m)
 Platform reach (maximum)43.1 ft (13.14 m)
 Length
 (booms down and retracted)29.1 ft (8.87 m)
 Width8.0 ft (2.44 m)
 Height
 (booms down)8.3 ft (2.53 m)
 Wheelbase8.0 ft (2.44 m)
 Ground clearance 11.8 in (0.36 m)
 Tailswing:
 (stowed)5.0 ft (1.54 m)
 (working)0 in (0 m)
 Weight (approximate)
 ATB 60 27,600 lb. (12,610 kg)
 ATB 60AL (al. tip & jib).... 24,600 lb. (11,158 kg)
 Wheel loading, single (max.)... 12,550 lb. (5,693 kg)
 Ground pressure 82 psi (566 kPa)
 Boom elevation +75/-1° to horizontal
 Gradeability20%

Travel speeds:

booms down and retracted 3.5 mph (5.6 km/h)
 booms down and retracted 1.9 mph (3.1 km/h)
 booms up and/or extended 0.75 mph (1.2 km/h)

Turning radius:

2-wheel drive, inside8.0 ft (2.45 m)
 4-wheel drive, inside (option) 17.2 ft (5.24 m)

Tires (foam filled) 15 x 19.5, 12 ply

Electrical system 12 V dc (neg. ground)

Environmental operating ranges:

ambient air temperature 0°F to +110°F
 (-18°C to +43°C)

wind speed (maximum gust

or continuous) 28 mph (45 km/h)

Fuel tank capacity: 40 gal (US) (151.4 liters)

optional LPG 43.5 lb. (20 kg)

Hydraulic oil:

pressure (max.) 3000 psi (20,700 kPa)

system capacity 35 gal (US) (132.5 liters)

temperature (max. at tank) 200°F (93°C)

type, recommended

above 10°F (-13°C) Mobil DTE 13M (ISO VG32)

below 10°F (-13°C) Mobil DTE 11M (ISO VG15)

Boom movement times, in seconds,

for complete range of movement:

Turntable swing (360° continuous) 85 - 95 s

Platform rotation (180°) 16 - 20 s

Main boom elevation (UP or DOWN) ... 40 - 45 s

Main boom (extend or retract) 30 - 38 s

Riser boom elevation

UP 24 - 30 s

DOWN 16 - 20 s

Jib boom

UP 9 - 12 s

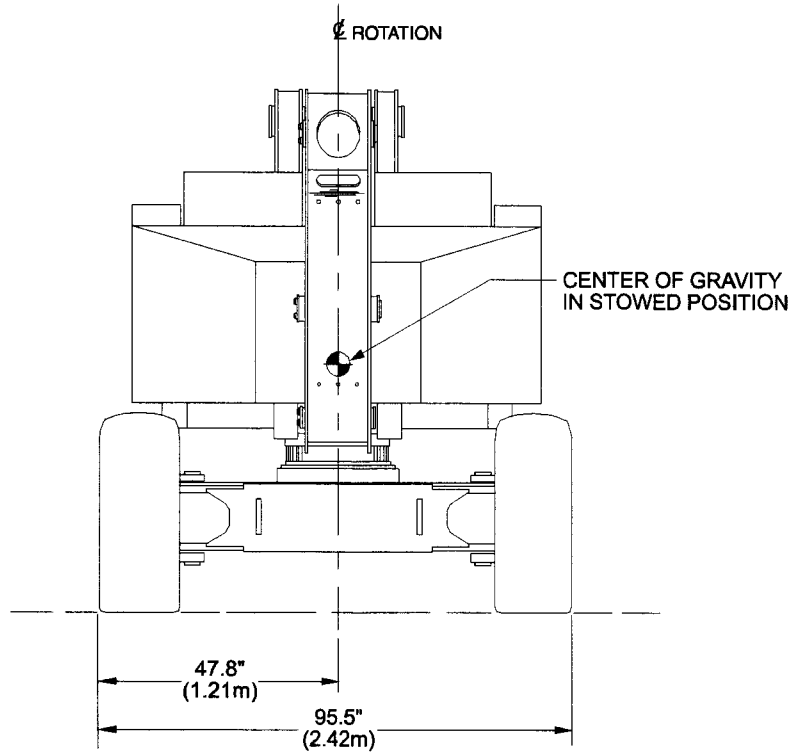
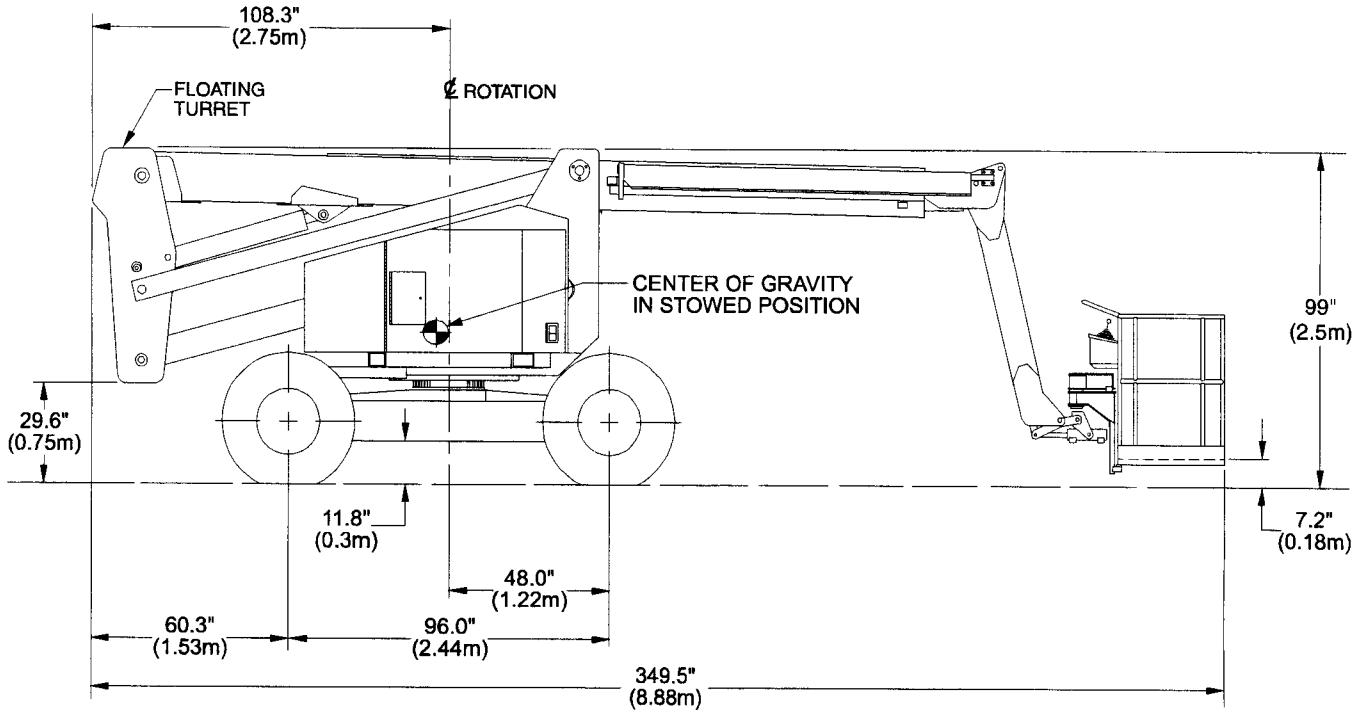
DOWN 7 - 11 s

■ PLATFORM SPECIFICATIONS

PLATFORM	SIZE inches (cm)	Unrestricted rated work load (total weight of personnel, tools, and materials that the platform is designed to carry above its floor when the platform is within its working envelope -- same as UNRESTRICTED PLATFORM CAPACITY)
steel, standard	60 x 30 (152 x 76)	Rated work load: 500 lb. (227 kg) Rated number of occupants: 2 people
aluminum, optional	92 x 30 (234 x 76) 60 x 30 (152 x 76)	

3. SPECIFICATION

■ OVERALL DIMENSIONS



■ WORKING ENVELOPE

