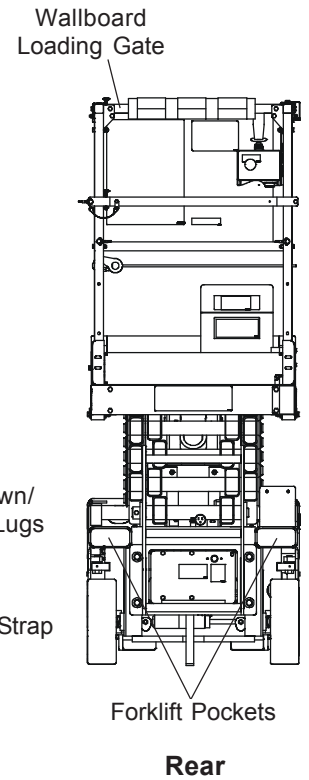
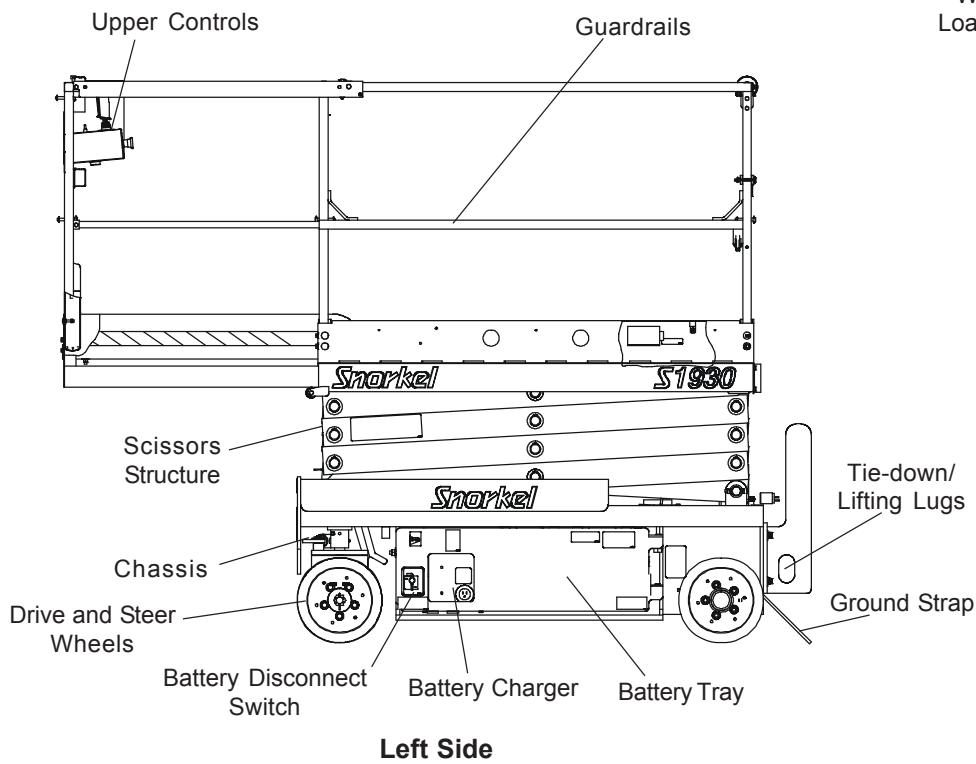
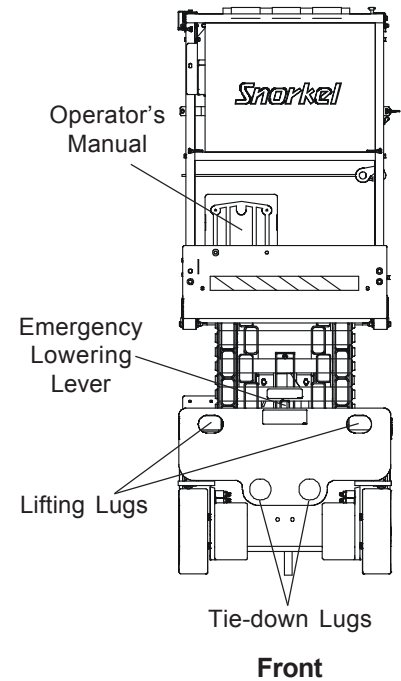
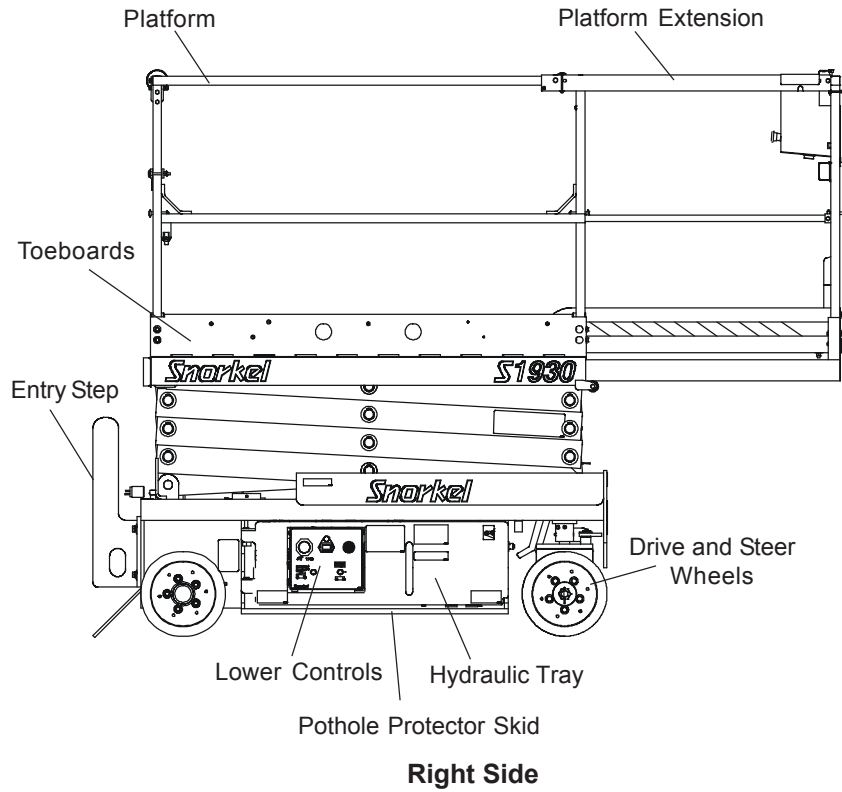


Chapter 2 – Specifications

Component Identification



General Specifications S1930

Aerial Platform

Working height	7.6 m (25')
Maximum platform height	5.8 m (19')
Turning radius	
Inside	12.7 cm (5")
Outside	1.64 m (64.5")
Wheelbase	1.37 m (4' 6")
Ground clearance	
Pothole protector raised	6.3 cm (2.5")
Pothole protector lowered	1.9 cm (0.75")
Maximum wheel load	642 kg (1,416 lbs)
Maximum ground pressure	12.3 kg/cm ² (175 psi)
Weight, GVW	
Approximate	1,379 kg (3,040 lbs)
Stowed width	76.2 cm (30")
Stowed length	1.9 m (6' 2")
With step removed	1.7 m (5' 6")
Stowed height	2.0 m (6' 7")
Rails up	216.5 cm (85.25")
Rails down	163.8 cm (64.5")

Platform

Dimensions	
Main	74 cm x 156 cm (29" x 61.5")
Extension	61 cm x 91.4 cm (24" x 36")
Total length with extension	247.5 cm (97.5")
Guardrail height	
Rails up	111.8 cm (44")
Rails down	62.2 cm (24.5")
Toeboard height	15.2 cm (6")

Rated work load

Total	227 kg (500 lb)
Extension	113.3 kg (250 lb)
Maximum number of occupants	1 outdoors 2 indoors

Function Speed

Platform raise	12 to 20 seconds
Platform lower	20 to 26 seconds
High Drive	
Platform lower than 1.8 m (6 feet)	0 to 3.2 km/h (0 to 2 mph)
Low Drive	
Platform higher than 1.8 m (6 feet)	0 to 0.6 km/h (0 to 0.4 mph)

Drive System

Standard	Two-wheel drive
Gradeability	20%
Maximum drive height	19' (5.8 m)

Drive/Lift Level Sensor Interlock

Side-to-side	2 degrees
Front-to-rear	4 degrees

Tires

Nonmarking solid rubber 30.5 cm x 10.2 cm (12" x 4")

Electrical System

Voltage	24 V DC negative chassis ground
Source	Four - 6 V 220 amp hour batteries
Fluid recommended	distilled water
Charger	40 amp

Hydraulic System

Maximum pressure	20,684 kPa (3,000 psi)
Reservoir capacity	11.35 l (3 US gal)
System capacity	13.2 l (3.5 US gal)
Maximum operating temperature	71°C (160°F)
Hydraulic fluid recommended	
Above 10°F (-13°C)	ISO VG32 (Mobil DTE-13M)
Below 10°F (-13°C)	ISO VG15 (Mobil DTE-11M)

Ambient Air Temperature Operating Range

Celsius	-18°C to 43°C
Fahrenheit	0°F to 110°F

Maximum Wind Speed

Gust or steady	12.5 m/s (28 mph)
----------------	-------------------

Vibration

less than 2.5 m/sec²

Sound Threshold

below 70 dB(A)