

GENERAL DESCRIPTION

MODELS TB-A42R/A420R/A50R

MAXIMUM PLATFORM HEIGHT

MODEL TB-A42R	42 FEET-0 INCHES
MODEL TB-A420R	42 FEET-0 INCHES
MODEL TB-A50R	50 FEET-4 INCHES

WORKING HEIGHT - NOMINAL

MODEL TB-A42R	48 FEET-0 INCHES
MODEL TB-A420R	48 FEET-0 INCHES
MODEL TB-A50R	56 FEET-4 INCHES

HORIZONTAL REACH

MODEL TB-A42R	33 FEET-0 INCHES
MODEL TB-A420R	33 FEET-0 INCHES
MODEL TB-A50R	39 FEET-1 INCHES

PLATFORM SIZE (STANDARD)..... 30 x 60 INCHES

WEIGHT (APPROXIMATE)

MODEL TB-A42R	10,900 POUNDS
MODEL TB-A420R	11,980 POUNDS
MODEL TB-A50R	12,650 POUNDS

UNRESTRICTED PLATFORM CAPACITY - TB-A42R

STANDARD 30 x 60 STEEL PLATFORM	500 POUNDS
OPTIONAL 30 x 60 ALUMINUM PLATFORM.....	500 POUNDS
OPTIONAL 30 x 92 STEEL PLATFORM.....	500 POUNDS
OPTIONAL 30 x 92 ALUMINUM PLATFORM.....	500 POUNDS

UNRESTRICTED PLATFORM CAPACITY - TB-A420R

STANDARD 30 x 60 ALUMINUM PLATFORM	700 POUNDS
OPTIONAL 30 x 92 STEEL PLATFORM.....	500 POUNDS
OPTIONAL 30 x 92 ALUMINUM PLATFORM.....	650 POUNDS

UNRESTRICTED PLATFORM CAPACITY - TB-A50R

STANDARD 30 x 60 ALUMINUM PLATFORM	500 POUNDS
OPTIONAL 30 x 92 ALUMINUM PLATFORM.....	450 POUNDS
OPTIONAL 30 x 92 ALUMINUM PLATFORM WITH FOAM FILLED TIRES	500 POUNDS

TRAVEL SPEED

BOOM ELEVATED	1.0 M.P.H.
BOOM STOWED	3.0 M.P.H.

GROUND CONTACT PRESSURES

FIRM LEVEL SURFACE WITH BOOMS STOWED

MODEL TB-A42R	30 P.S.I.
MODEL TB-A420R	35 P.S.I.
MODEL TB-A50	36 P.S.I.

FIRM LEVEL SURFACE, TURNTABLE AND COUNTERWEIGHT POSITIONED OVER ONE WHEEL, BOOM FULLY ELEVATED AND FULLY RETRACTED

MODEL TB-A42R	56 P.S.I.
MODEL TB-A420R	62 P.S.I.
MODEL TB-A50R	64 P.S.I.

GENERAL DESCRIPTION

MODELS TB-A42R/A420R/A50R (Continued):

TURNING DIAMETER (OUTSIDE)	31 FEET-0 INCHES
OVERALL LENGTH (STOWED)	
MODEL TB-A42R	23 FEET-6¼ INCHES
MODEL TB-A420R	23 FEET-6¼ INCHES
MODEL TB-A50R	25 FEET-1½ INCHES
OVERALL WIDTH	7 FEET-11½ INCHES
OVERALL HEIGHT - (STOWED).....	7 FEET-9½ INCHES
WHEELBASE	96 INCHES
GROUND CLEARANCE	10 INCHES
TIRES	
MODEL TB-A42R	12 x 16.5-10 PLY
MODEL TB-A420R	12 x 16.5-10 PLY
MODEL TB-A50R	12 x 16.5-10 PLY
ELECTRICAL SYSTEM.....	12 VOLT DC
HYDRAULIC SYSTEM MAX. PRESSURE.....	2,500 PSI

OSHA AND ANSI STANDARDS

The TB-A series "Snorkelift" has been built in so far as we are aware, to conform with OSHA and ANSI Rules and Regulations.

- OSHA Paragraph 1910.67 Title 29, C.F.R. Vehicle-mounted Elevating and Rotating Work Platforms - Labor
- OSHA Paragraph 1926.556 Title 29, C.F.R. Aerial Lifts - Construction
- ANSI Standard A92.5-1992 Boom-Supported Elevating Work Platforms

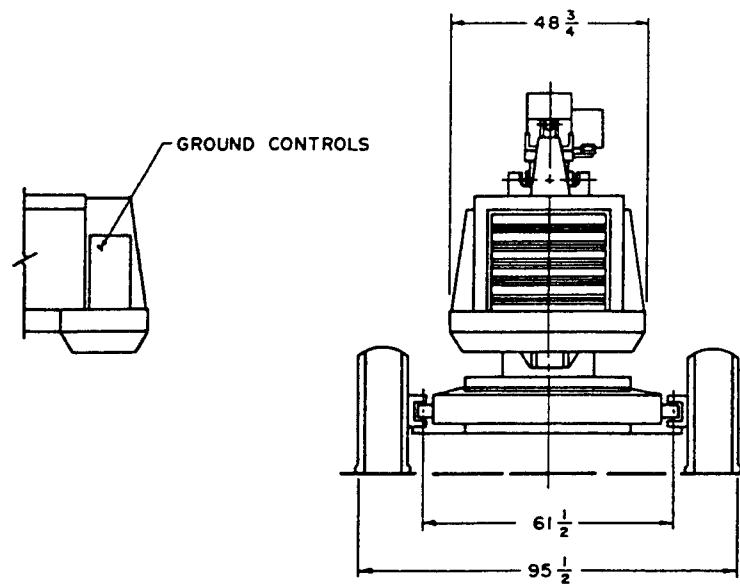
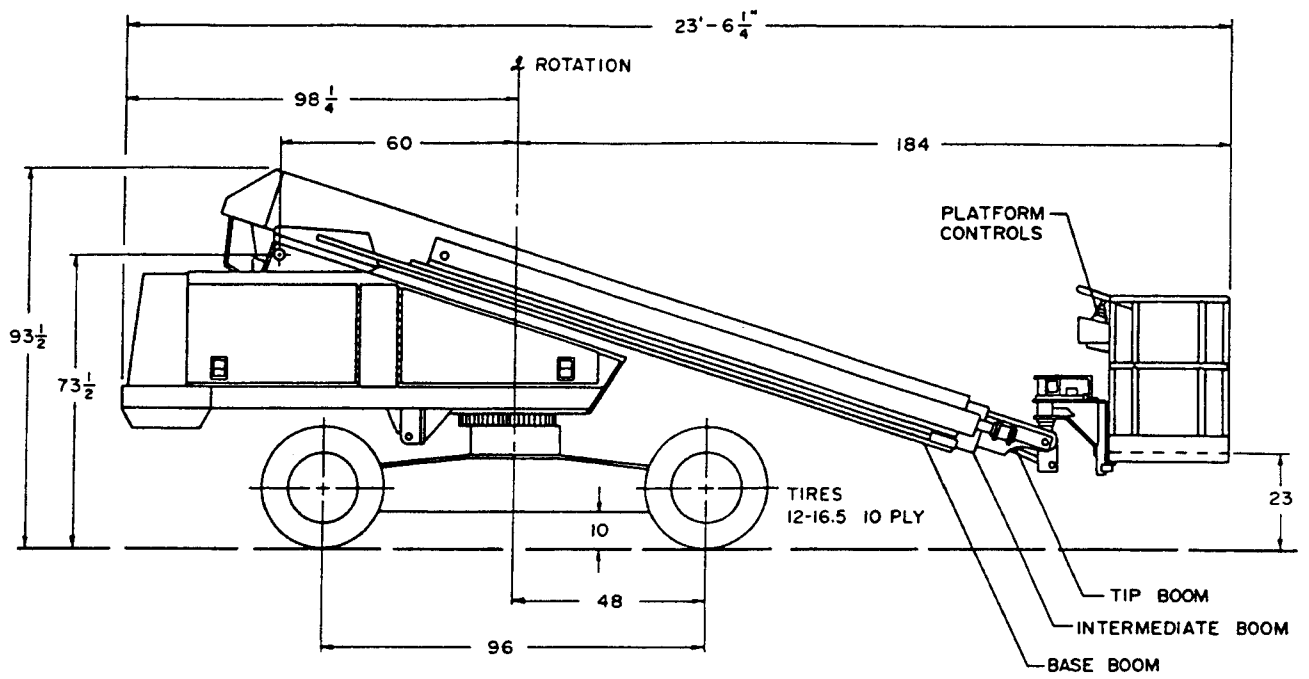
It is imperative that all owners and users of the TB-A series "Snorkelift" read, understand and conform to these regulations. Ultimate compliance to OSHA regulations is the responsibility of the employer utilizing the equipment.

CAUTION

ANSI Standard A92.5-1992 clearly identifies requirements of all parties who may be involved with Boom-Supported Elevating Work Platforms.

A reprint of the Responsibilities of Dealers, Installers, Owners, Users, Renters, Lessors and Operators is available from Snorkel-Economy dealers or from the factory at no cost upon request.

MODEL DRAWING TB-A42R/A420R



WORKING AREA MODEL TB-A42R/A420R

